

Twirl Motor

直流行星减速电机

Planetary gear DC motor PG16M050

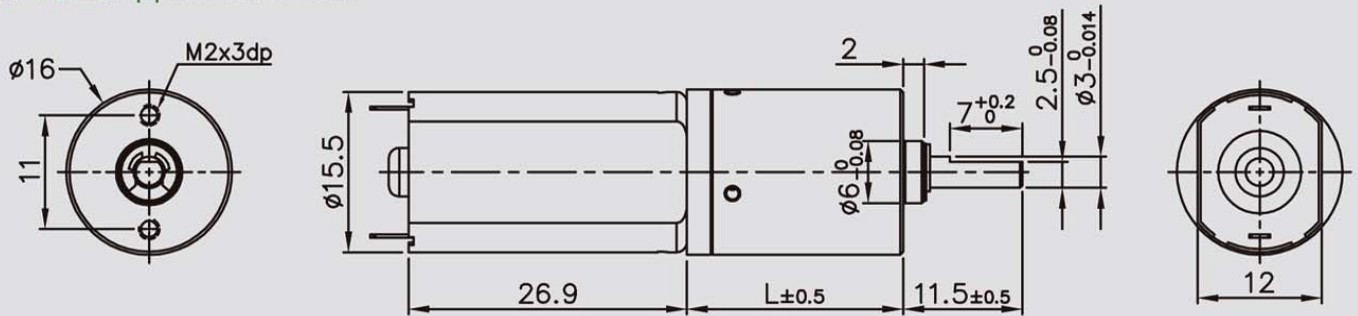
适用范围/Scope of application

光学仪器 | 调教照相机 | 指纹锁 | 自动节能器 | 水表IC卡 | 玩具礼品
办公设备 | 家用电器 | 通信基站 等等。

Optical instruments | Tune camera | Fingerprint lock | Automatic energy saver | Water meter IC card | Toy gift | Office equipment | Household appliances | Telecommunication base station, etc.



外形尺寸图/Appearance size



减速箱清单/Gearbox data

级数 Number of stages	1	2	3	4	5
减速比 Reduction ratio	4,4.75	12.3,16,19,22.5	42.8,64,76,90,107	150,256,304,361,428	712,1024,1216,1444,1715,2036
齿轮箱长度 Gearbox length "L" mm	13.7	17.3	20.9	24.5	28.1
额定扭矩 Running torque	1.0kgf · cm	1.5kgf · cm	4.0kgf · cm	4.0kgf · cm	4.0kgf · cm
损坏扭矩 Gear breaking torque	3.0kgf · cm	4.5kgf · cm	12.0kgf · cm	12.0kgf · cm	12.0kgf · cm
效率 Gearing efficiency	90%	81%	73%	65%	59%

可选马达清单/Motor data

马达型号 Motor type	额定电压 Rated volt (V)	空载转速 No load speed (rpm)	空载电流 No load current (mA)	额定转速 Rated speed (rpm)	额定电流 Rated current (mA)	额定扭矩 Rated torque (gf.cm)	额定功率 Rated output (W)	堵转扭矩 Stall torque (gf.cm)	堵转电流 Stall current (mA)
F-050129000	12	9000	≤45	7000	≤140	8	0.5	45	≤500
F-0501212000	12	12000	≤55	9600	≤180	10	0.96	50	≤750
F-0502413000	24	14000	≤45	10000	≤110	12	1.2	49	≤400

注：减速后的输出扭矩=马达扭矩×减速比×齿轮箱效率；输出转速=马达转速/减速比；马达曲线图详见50页
本公司可定做各种非标产品，如有需要请来电咨询。

Note: Output torque after deceleration = motor torque X reduction ratio X gearing efficiency;
Output speed = motor speed / reduction ratio; Motor performance curve is shown on Page 50
Our company can customize a variety of non-standard products, please contact us.

○ 以上参数仅做参考，具体以实物为准。
The above parameters are for reference only.